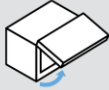


GL Lid Stay

Upward opening · Top opening

Opening Direction	Description	Non-handed	Qty	Compression Load
 Upward-opening※	Holds When Fully Opened	Yes	1 Units Per Door	147 N/pc (15 kgf/pc)

※Can also be used for top-opening lid, depending on installation conditions. Please confirm with actual item in detail.

Features

- Holds the lid in fully opened position
- Slightly lift up the lid to release stopper
- Available in stainless steel or titanium material
- Passed 10,000 life cycle test

Notes

- Appropriate bracket position can be determined depending on door height and opening angle. In this case, ensure that $L_1/2$ of the installation example is larger than L_2 shown in the figure below. (Or the hinge and stay may be damaged)
- Use 1 pc for 1 door. If using 2 pcs, left and right operation may not be synchronized
- Do not use this product as a stopper other than for a door
- Allow room for stroke depending on installation location and purpose
- Securely fix the mounting screws with screw adhesive

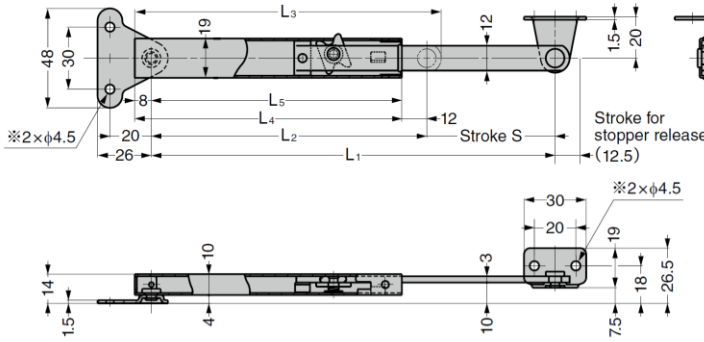
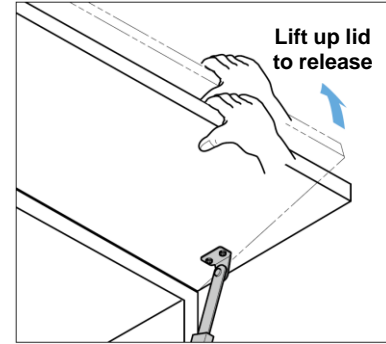
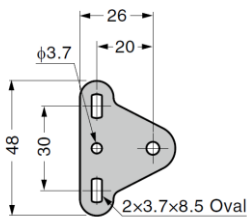
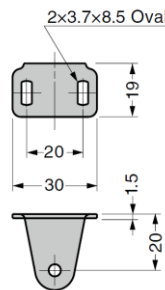


Figure above shows GL-195B or GL-270B

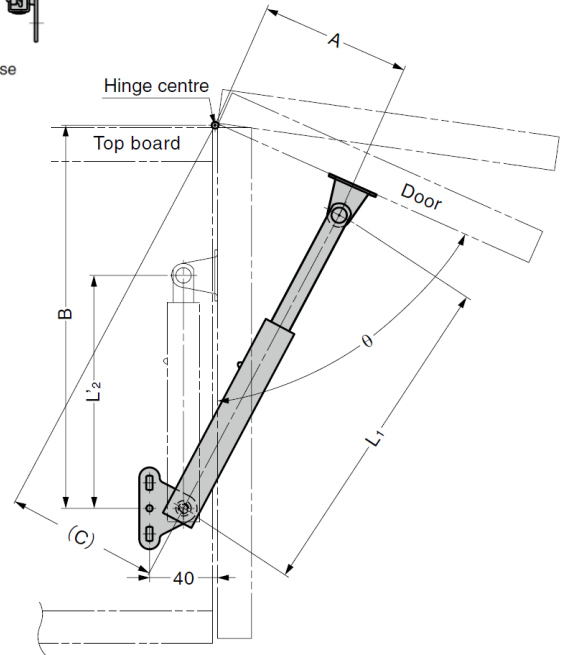
Type A Case bracket



Type A Arm bracket



※ Mounting hole shape of GL-195A and GL-270A shown above



Part No.	Material	Finish	L ₁	L ₂	L ₃	L ₄	L ₅	S	A	B	C	θ	Approx. Door Height	Compression Load	
GL-195A	Stainless Steel 304	Satin	195	133	148	129	121	62	90	225	91.5	66°	260 ~ 350	147 N	15 kg
GL-195B	Titanium														
GL-195A-TI	Stainless Steel 304														
GL-270A	Titanium														
GL-270B	Stainless Steel 304														
GL-270A-TI	Titanium	270	170	185	166	158	100	105	275	105.8	82°	320 ~ 500			